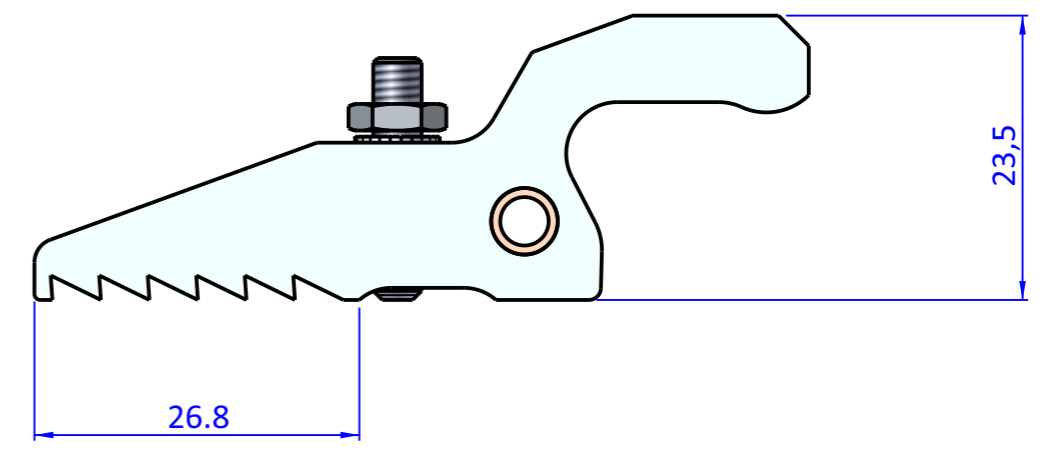
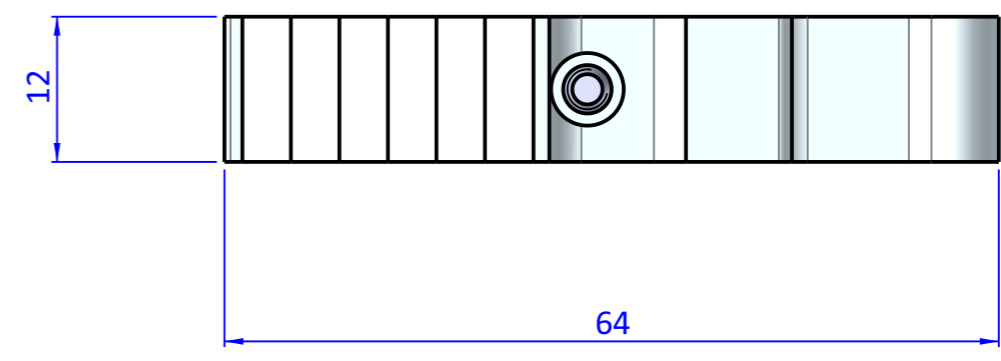
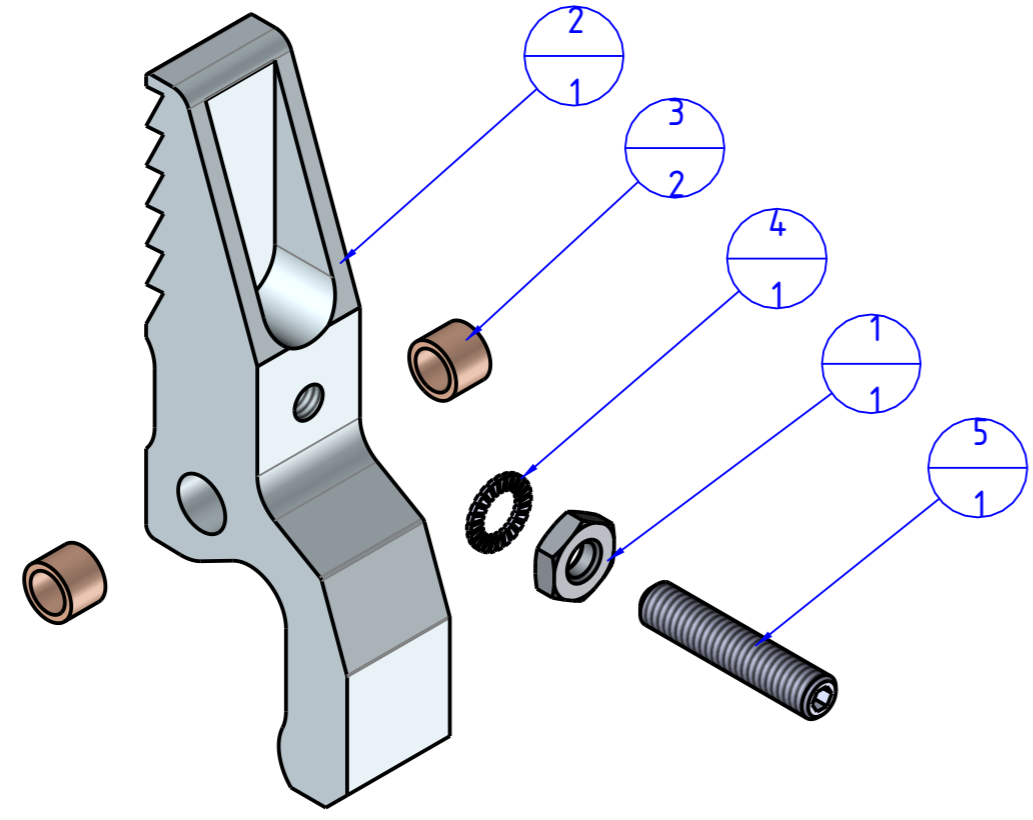



THE PROPERTY OF THE DRAWING IS ESTABLISHED BY LAW. IT IS FORBIDDEN TO PRODUCE OR SHOW IT TO THIRD PART - WITHOUT A WRITTEN AGREEMENT.

Item	Name	Qty.
1	D.4	1
2	GTS.1004.19	1
3	PAP.0405504	2
4	R.4.SCH	1
5	V.STM4X20	1



Format A3  
UNI 936-76

 <b>FPS</b> FPSERVICES AUTOMATION		DESIGNED FROM <b>FPS Automation</b>		REVIEW <b>A</b>	
		DATE <b>21/09/2021</b>	WEIGHT <b>0,054kg</b>		
GENERAL TOLERANCE UNI - ISO 2768 CLASSE f	DESCRIPTION <b>GTS.04.19</b>		CODE <b>GTS.04.19</b>		